

STAGE TECHNOLOGY. SIMPLY. BETTER.



ERGO FLEX

PLATFORM WITH PLUG-IN LEGS

PLATFORM WITH PLUG-IN LEGS



Ellipses, circular platforms, concave or convex: With this platform system, there's no limit to the special shapes and special sizes of your stage – if you can imagine it, we can build it.



Hollow aluminium frames

Smooth frames – shiny look!

Perfect for use as a circular stage platform.



Groove channel

The inner groove channel makes it possible to connect platforms using clamps.

Fixed hooks (2 each on one long and one short side) engage in the grooves of the next platform, holding the two platforms together. This means that there are no loose links.

Compatible with almost every conventional platform system with a smooth frame.



Leg mount

The 2M leg mount made of die-cast zinc is designed for use with round pipe or square pipe with dimensions of 40 mm to 60 mm.

The leg can be compacted using an M10 adjustment screw or via an eccentric quick release system depending on the customer's wishes. It is possible to switch between these configurations in seconds.



Surfaces

A non-slip phenolic plywood (birch throughout) made with waterproof glue or a 22-mm multiplex plywood are available as standard base boards.

Additional surfaces such as carpet, plexiglass etc. are also available upon request, expanding our product portfolio further.

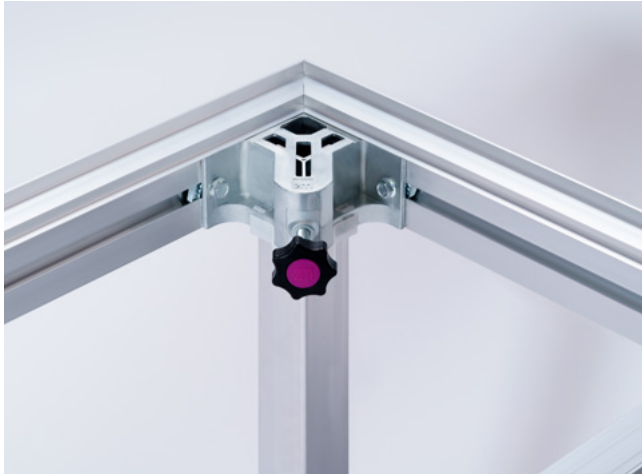


Special structures

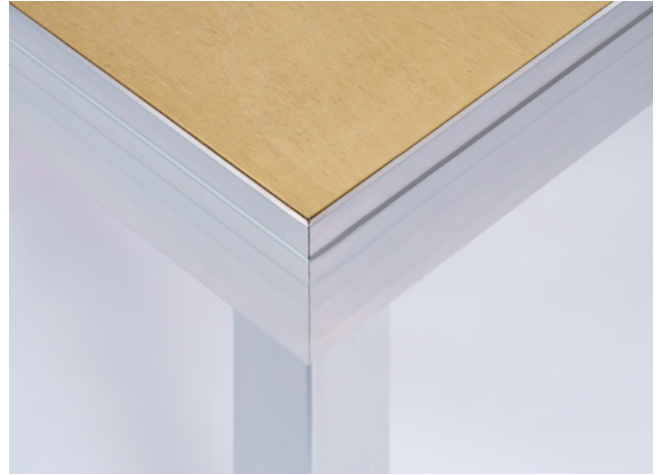
Custom manufacturing of special dimensions, cut-outs and circular or triangular designs according to your specifications.



DETAILS



7994 – Inner frame profile incl. groove channel and leg mount with handwheel



7918 – Corner section with base board, smooth frame profile

TECHNICAL DATA



Product category	Platforms with plug-in legs
Movable/Stationary	movable
Dimensions	2 m x 1 m
Special size possible	yes
Weight	42
Backing plate thickness	22 mm
Frame height	90 mm
Pit depth	-
Horizontal test load	1/10 of the vertical test load
Vertical test load	8.5 kN/m ² (867 kg/m ²)
Horizontal traffic load	1/10 of the vertical traffic load
Vertical traffic load	5.0 kN/m ² (510 kg/m ²)
Max. stage height	-
TÜV certificate	DIN 13814, 4112, 1055, 15921



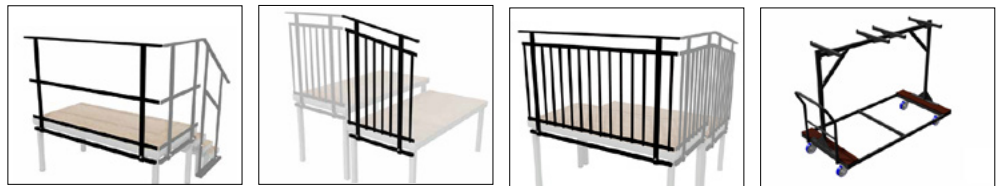
ACCESSORIES



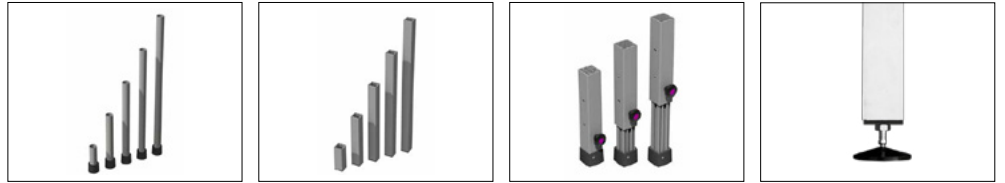
Stairs and handrails



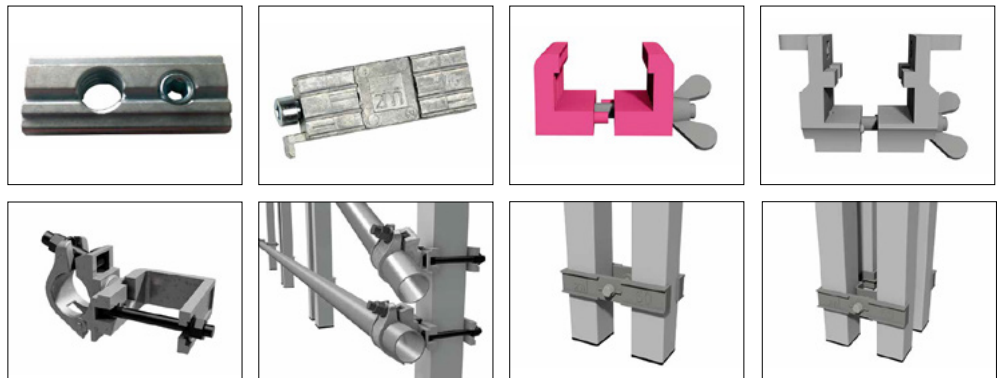
Railing



Feet



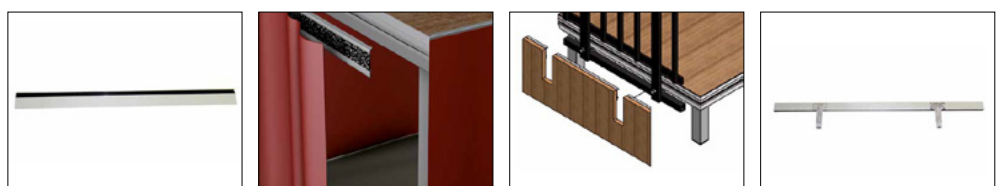
Connectors



Transport



Facing



**WORKING TOGETHER
TO GET THE BEST RESULTS
WITH YOUR VISION
AND OUR PASSION.**

References:

[2M-DEUTSCHLAND.DE/EN/REFERENCES](https://2m-deutschland.de/en/references)



ENQUIRE NOW!



Andre Nölle
Sales Manager

→ 02102/13399-13
→ info@2m-deutschland.de



Gerrit Pape
Project Manager

→ 02102/13399-14
→ info@2m-deutschland.de